

COMMERCIAL/INDUSTRIAL COLOR CHART

❖ SIGNATURE® 200 Standard Colors

**SILICONIZED
POLYESTER**

Polar White is a Straight Polyester.

26-GAUGE MATERIAL

- Final color selection should be made from actual color chips.
- For the most current information available, visit our website at www.mbc.com.
- See product selection chart for gauge and color availability.
- All products available in smooth or embossed finish.
- Trim available in all colors.
- All Signature® 300 are low gloss colors.
- A 25-year limited paint warranty available for all colors upon written request except for Scarlet Red and Crimson Red, please inquire. (Outside the continental United States, please inquire.)
- Crimson Red is offered with a 3-year warranty on roof panels and 3-year on sidewall panels.
- Signature® is a registered trademark of NCI Group, Inc. KYNAR 500® is a registered trademark of Arkema, Inc. HYLAR 5000® is a registered trademark of Solvay Solexis.

† Except Crimson Red, which contains more than 0.06 percent lead, none of the other colors shown are lead-containing paints under 13 CFR 1303. Crimson Red should only be used for applications which comply with federal, state and local regulations for lead-containing paint.

* Also available in 29-gauge



HAWAIIAN BLUE
SR .32 SRI 35



CRIMSON RED†
SR .38 SRI 42



FERN GREEN
SR .28 SRI 29



BURNISHED SLATE
SR .28 SRI 29



ASH GRAY★
SR .48 SRI 56



SADDLE TAN★
SR .48 SRI 56



DESERT SAND★
SR .42 SRI 48



KOKO BROWN
SR .28 SRI 29



CHARCOAL GRAY
SR .28 SRI 29



POLAR WHITE★
SR .58 SRI 69



RUSTIC RED
SR .36 SRI 40



LIGHT STONE★
SR .50 SRI 58



GALLERY BLUE
SR .28 SRI 29

❖ SIGNATURE® 300 Standard Colors

**KYNAR 500®
HYLAR 5000®**

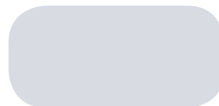
26-GAUGE MATERIAL
PBR, PBU, PBA, PBC, PBD Panels only

Low Gloss Colors

* Also available in 24-gauge



MEDIUM BRONZE*
SR .33 SRI 36



SNOW WHITE*★
SR .65 SRI 79



SLATE GRAY
SR .37 SRI 41



ALMOND*★
SR .63 SRI 76



CLASSIC GREEN*
SR .28 SRI 29



BROWNSTONE**★
SR .47 SRI 54



SCARLET RED★
SR .42 SRI 47



HARBOR BLUE
SR .28 SRI 29



★ Energy Star
Approved Color



Houston, TX 877-713-6224
Adel, GA 888-446-6224
Atlanta, GA 877-512-6224
Atwater, CA 800-829-9324

Dallas, TX 800-653-6224
Indianapolis, IN 800-735-6224
Lubbock, TX 800-758-6224
Memphis, TN 800-206-6224

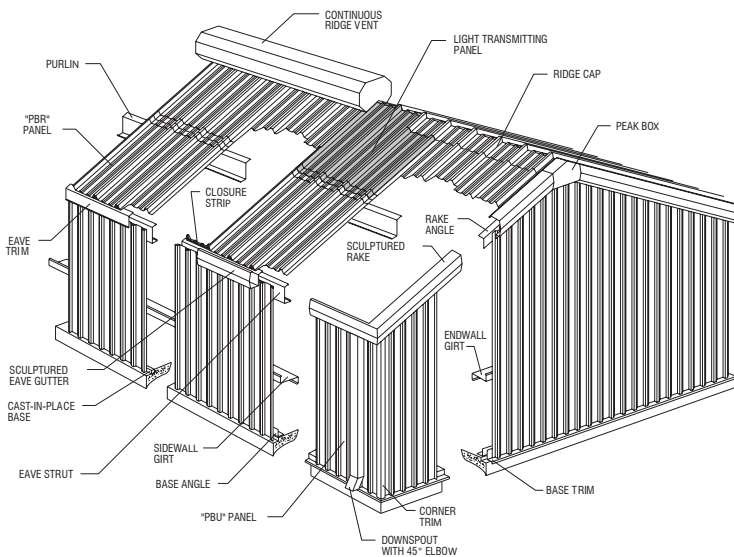
Oklahoma City, OK 800-597-6224
Omaha, NE 800-458-6224
Phoenix, AZ 888-533-6224
Richmond, VA 800-729-6224

Rome, NY 800-559-6224
Salt Lake City, UT 800-874-2404
San Antonio, TX 800-598-6224

COMMERCIAL/INDUSTRIAL PANEL PROFILES

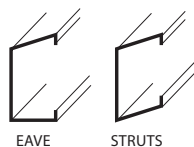
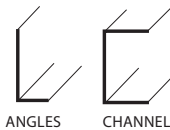
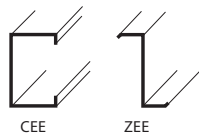
| Profile | Panel | 29 GAUGE | | 26 GAUGE | | 24 GAUGE | | 22 GAUGE | |
|-----------------|-------|-----------------|---------|-----------------|---------|-----------------|---------|-----------------|---------|
| | | Galvalume Plus® | Sig 200 | Galvalume Plus® | Sig 200 | Galvalume Plus® | Sig 200 | Galvalume Plus® | Sig 200 |
| *PBR* PANEL | PBR | ● | ■ | ● | ■ | ● | ■ | ● | ■ |
| *PBU* PANEL | PBU | ● | ■ | ● | ■ | ● | ■ | ● | ■ |
| *PBC* PANEL | PBC | ● | ■ | ● | ■ | ● | ■ | ● | ■ |
| *PBD* PANEL | PBD | ● | ■ | ● | ■ | ● | ■ | ● | ■ |
| 7.2 PANEL | 7.2 | ● | ■ | ● | ■ | ● | ■ | ● | ■ |
| *PBA* PANEL | PBA | ● | ■ | ● | ■ | ● | ■ | ● | ■ |

● Available in any quantity ■ May require minimum quantity



AVAILABLE ACCESSORIES

- Hat and Channel Sections
- Light Transmitting Panels
- Vent
- Roof Jacks
- Fasteners
- Ridge Caps
- Closures
- Doors
- Windows
- Sealants
- Insulation
- Bracing
- Bolts
- Louvers
- Sliding Door Hardware



What is

Solar Reflectivity (SR)?

Solar reflectivity or reflectance is the ability of a material to reflect solar energy from its surface back into the atmosphere. The SR value is a number from 0 to 1.0. A value of 0 indicates that the material absorbs all solar energy and a value of 1.0 indicates total reflectance. Energy Star requires an SR value of 0.25 or higher for steep slope (above 2:12) roofing and an SR value of 0.65 or higher for low slope (2:12 or less) roofing. For more information, please go to www.energystar.gov.

What is

Solar Reflectance Index (SRI)?

The SRI is used to determine compliance with LEED requirements and is calculated according to ASTM E 1980 using values for reflectance and emissivity. Emissivity is a material's ability to release absorbed energy. To meet LEED requirements, a roofing material must have an SRI of 29 or higher for steep slope (above 2:12) roofing and an SRI value of 78 or higher for low slope (2:12 or less) roofing. For more information, please go to www.usgbc.org.

SIGNATURE® 200 - SILICONIZED POLYESTER

| | SR # | SRI # |
|-----------------|------|-------|
| HAWAIIAN BLUE | .32 | 35 |
| CRIMSON RED | .38 | 42 |
| FERN GREEN | .28 | 29 |
| BURNISHED SLATE | .28 | 29 |
| KOKO BROWN | .28 | 29 |
| CHARCOAL GRAY | .28 | 29 |
| ASH GRAY | .48 | 56 |
| SADDLE TAN | .48 | 56 |
| DESERT SAND | .42 | 48 |
| POLAR WHITE | .58 | 69 |
| RUSTIC RED | .36 | 40 |
| LIGHT STONE | .50 | 58 |
| GALLERY BLUE | .28 | 29 |

SIGNATURE® 300 - KYNAR 500®/HYLAR 5000®

| | SR # | SRI # |
|---------------|------|-------|
| MEDIUM BRONZE | .33 | 36 |
| SNOW WHITE | .65 | 79 |
| SLATE GRAY | .37 | 41 |
| ALMOND | .63 | 76 |
| CLASSIC GREEN | .28 | 29 |
| BROWNSTONE | .47 | 54 |
| SCARLET RED | .42 | 47 |
| HARBOR BLUE | .28 | 29 |

